

# JST12-9.0

## Characteristics

Nominal Voltage		12V
Nominal Capacity (20 hour rate)		9.0Ah
Capacity 25°C (77°F)	20 hour rate (0.45A)	9.0Ah
	10 hour rate (0.855A)	8.55Ah
	5 hour rate (1.44A)	7.2Ah
	1 hour rate (5.85A)	5.85Ah
Internal Resistance	Full Charged Battery 25°C (77°F)	≤28mΩ
Cyclic Life	50%(C <sub>20</sub> ) Depth of discharge	700Times
Float Life	25°C (77°F) Float charge at 13.8V	About 3 Years
Capacity affected by Temperature (20 hour)	45°C (104°F)	102%
	25°C (77°F)	100%
	0°C (32°F)	85%
	-35°C (5°F)	65%
Self-Discharge 25°C (77°F)	Capacity after 3 month storage	90%
	Capacity after 6 month storage	80%
	Capacity after 12 month storage	62%
Charge (Constant Voltage) 25°C (77°F)	Cycle	Initial Charging Current Less than 2.7A Voltage 14.6-15.0V
	Float	Voltage 13.5-13.8V

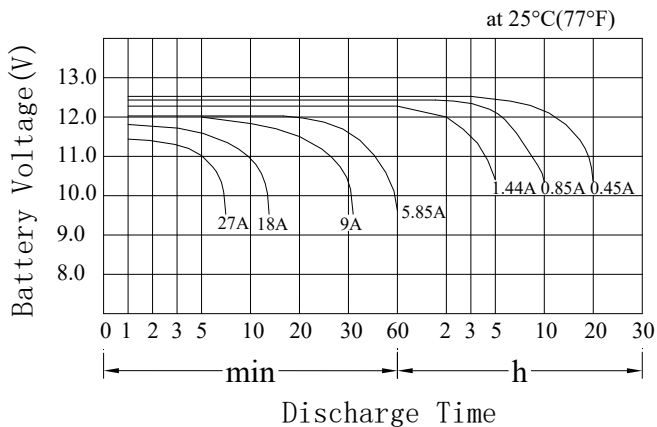
## Product Image



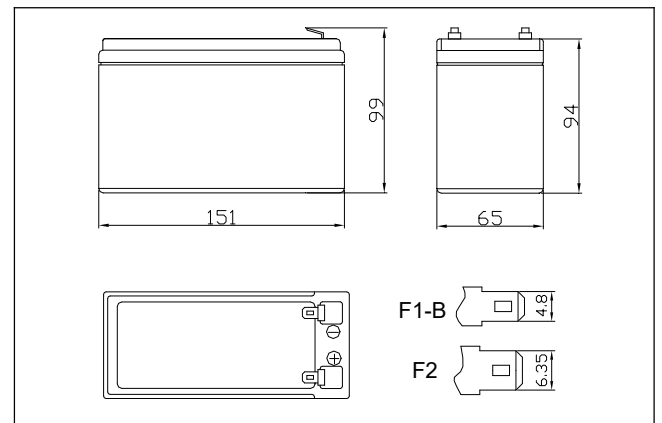
## Packing

Battery (L×W×H)	mm ± 1	151×65×99
	inch	5.95×2.56×3.90
Box (L×W×H)	mm ± 2	320×284×122
	inch	12.6×11.2×4.81
Quantity Per Box		8 PCS
Net weight Per Cell		2.4 Kg ± 50g
Net weight Per Box		19.6 Kg
Gross Weight		19.9 Kg

## Discharge Curve



## Product Dimensions



## Battery Construction

Component	Positive plate	Negative plate	Container	Safety valve	Terminal	Separator	Electrolyte
Raw Material	Lead dioxide	Lead	ABS	Rubber	Copper	Fiberglass	Sulfuric acid

## Discharge Characteristics

Voltage	Run Time (Constant Current and Power 25°C 77° F)											
	3 min	5 min	15 min	30 min	45 min	1h	2h	3h	5h	8h	10h	20h
9.6 V	389	344	199	121	84.2	67.4	36.3	26.4	17.9	11.8	9.81	5.35
10.2V	350	314	179	111	82.1	66.3	35.7	26.1	17.7	11.8	9.81	5.35
10.5V	292	275	169	104	81.1	65.3	35.3	25.7	17.7	11.6	9.72	5.24
10.8V	272	246	159	90.0	80.0	64.3	34.2	25.0	17.6	11.6	9.54	5.13

